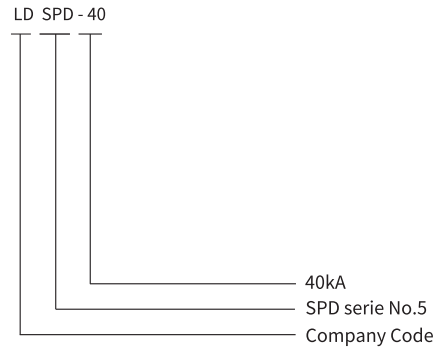


Product Selection Guide



LDSPD-40kA
2P(600VDC)



LDSPD-40kA
2P(1000VDC)

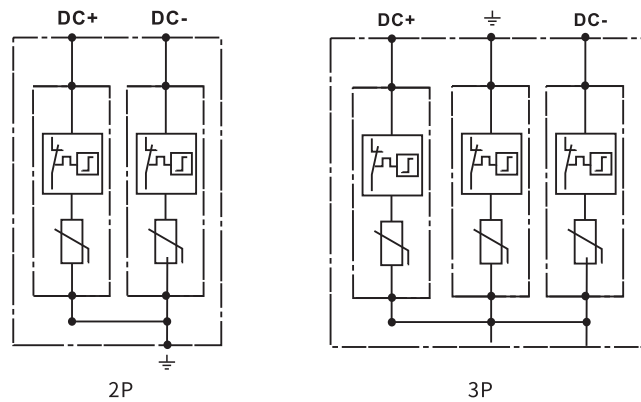


LDSPD-40kA
3P(1000VDC)



LDSPD-40kA
3P(1500VDC)

Basic circuit diagram



SPD Type Reference List

No. of Poles	Max. Continuous Operating DC Voltage		
	600VDC	1000VDC	1500VDC
2Module	LD-SPD2P-40KA-600	LD-SPD2P-40KA-1000	-
3Module	-	LD-SPD3P-40KA-1000	LD-SPD3P-40KA-1500
<i>With Remote Signaling</i>			
2Module	LD-SPD2P-40KA-600S	LD-SPD2P-40KA-1000S	-
3Module	-	LD-SPD3P-40KA-1000S	LD-SPD3P-40KA-1500S

Technical Data

SPD classification according to IEC/EN61643-31		T2	T2	T2
Max. continuous operating a.c.voltage	Ucpv	600VDC	1000VDC	1500VDC
Norminal discharge current (8/20μs)	In	20kA	20kA	20kA
Maximum discharge current (8/20μs)	I _{max}	40kA	40kA	40kA
Voltage protection level DC+/DV-to PE	Up	2Mods ≤2.6kV	≤4.0kV	-
	3Mods	-	≤4.0kV	≤5.2kV
Response time	tA	≤25ns	≤25ns	≤25ns
Operating temperature range	Tu	-40°C~80°C		
Operating State/Fault Indication		Green/Red		
Cross-section area (Min.)		4mm ²		
Cross-section area (Max.)		35mm ²		
For mounting on		35mm Din rail		
Enclosure material		Thermal Plastic UL94-V0		
Degree of Protection		IP20		
No. of Mouldles		2P(2Mods),3P(3Mods)		

Overall and Installation Dimension(mm)

