

PHOTOVOLTAIC MODULE 60CELLS

NE250-30P / NE260-30P / NE270-30P / NE275-30P

KEY FEATURES



Positive Power Tolerance

Bring additional electricity to customers



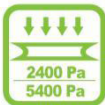
Durability against extreme environmental conditions

High salt mist and ammonia resistance certified by TUV



High Efficiency

Higher module conversion efficiency achieved through advanced manufacturing technology



Severe Weather Resilience

Wind load(2400Pa)

Snow load(5400Pa)

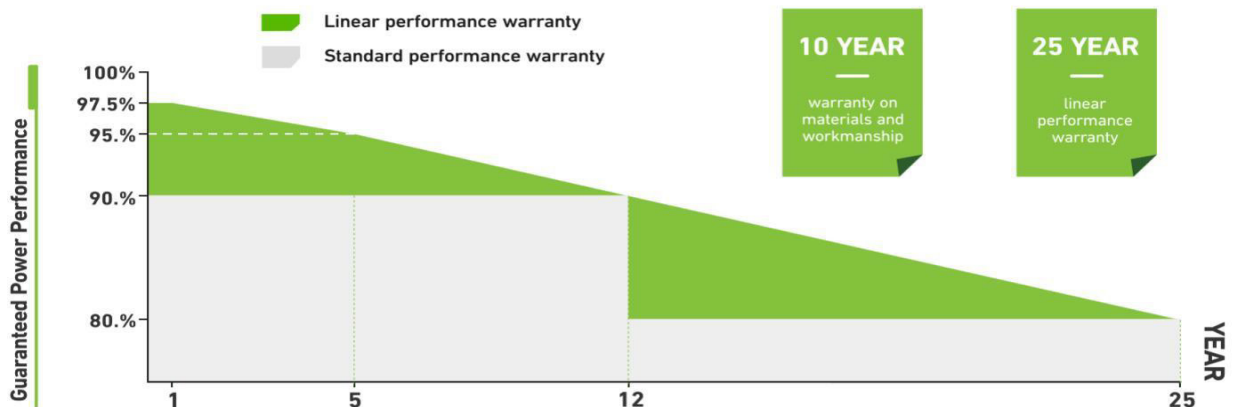


Low-Light Performance

Advanced glass and solar cell surface texturing allow for excellent performance in low-light environments.



MODULE FEATURES AND WARRANTY

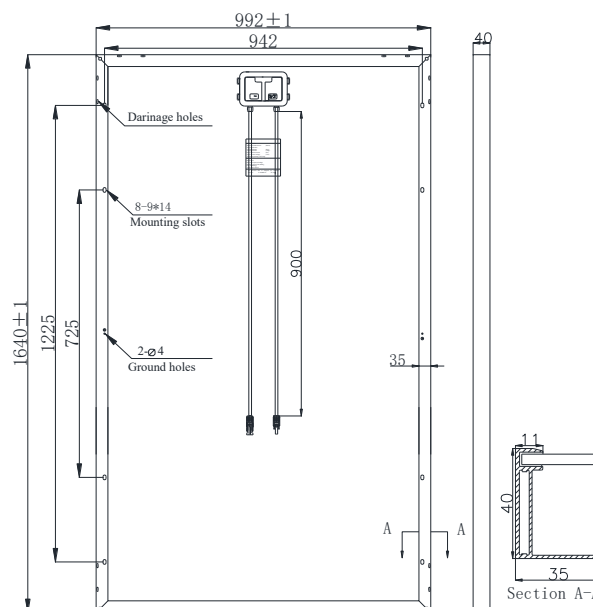
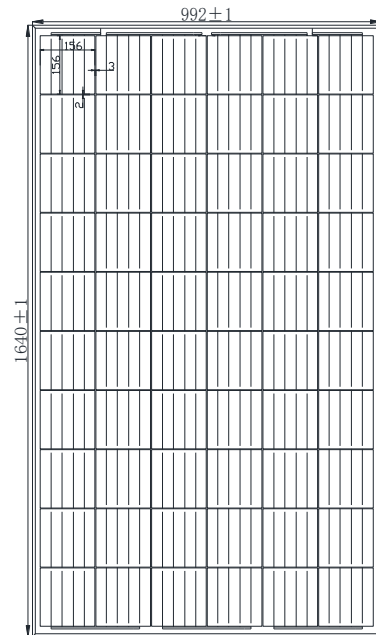


Electrical Characteristics

Model	NE250-30P	NE260-30P	NE270-30P	NE275-30P
Maximum Power at STC(Pmax)	250	260	270	275
Optimum Operating Voltage (Vmp)	30.68V	30.92V	31.61V	31.74V
Optimum Operating Current (Imp)	8.15A	8.41A	8.54A	8.66A
Open-Circuit Voltage (Voc)	36.90V	37.90V	37.54V	37.70V
Short-Circuit Current (Isc)	9.03A	9.15A	9.14A	9.27A
Solar Cell Efficiency (%)	17.46	18.16	18.86	19.21
Solar Module Efficiency (%)	15.37	15.98	16.60	16.90
Operating Temperature	-40 to 85°C			
Maximum System Voltage	DC1000			
Maximum Series Fuse Rating	15A			
Power Tolerance	0~+3%			
STC:Irradiance 1000W/m ² ,Modules Temperature 25°C,AM=1.5				

Temperature Coefficient and Mechanical Characteristics

Nominal Operating Cell Temperature (NOCT)	47°C+/-2°C
Temperature Coefficient of Pmax	-0.45%/°C
Temperature Coefficient of VOC	-0.32%/°C
Temperature Coefficient of ISC	+0.05%/°C
Solar cell	Poly156*156mm
No.of cells	60(6*10)
Dimensions	1640mm*992mm*35mm
Weight	18.00kg
Front glass	3.2mm tempered glass
Frame	Anodized aluminium alloy
Junction box	IP Rating≥IP67
Connector	MC4 or compatible
Output cables	PV 4.0mm ² ,0.9m
Packing	Cardbox Pallet
1*20'	300 pcs
1*40'HQ	784 pcs



IV-Curves

